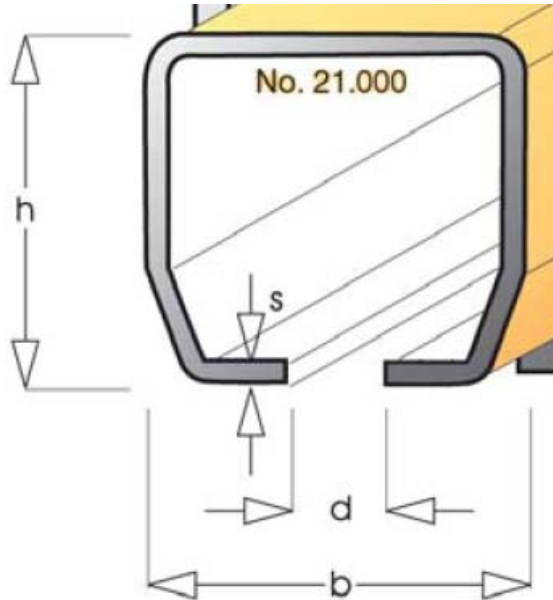




W. [www.niko-ltd.co.uk](http://www.niko-ltd.co.uk)  
 E. [sales@niko-ltd.co.uk](mailto:sales@niko-ltd.co.uk)

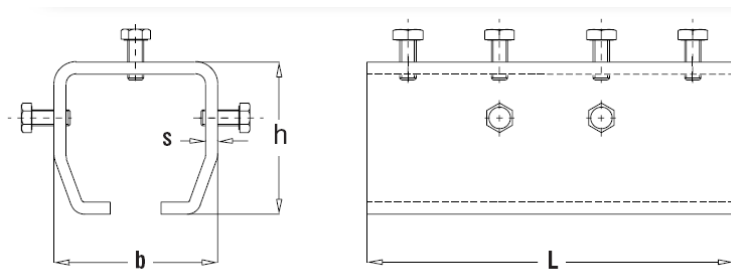
Tel. 01926 813111  
 Fax. 01926 815599

**21.060 - TRACK PROFILE**



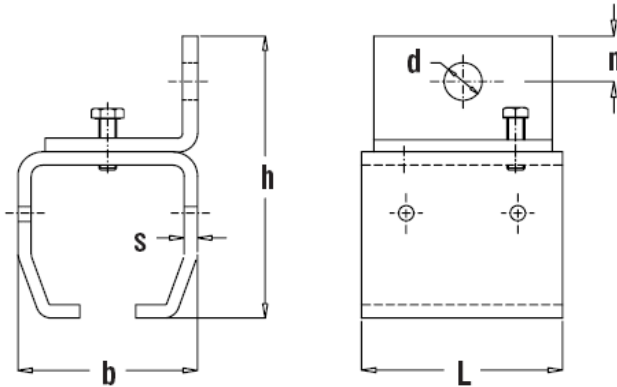
NIKO PROFILE No	Dimensions			
	h(mm)	b(mm)	d(mm)	s(mm)
21.000/21.050 INOX	28	30	8	1,75

**21.B49 - TRACK JOINT**



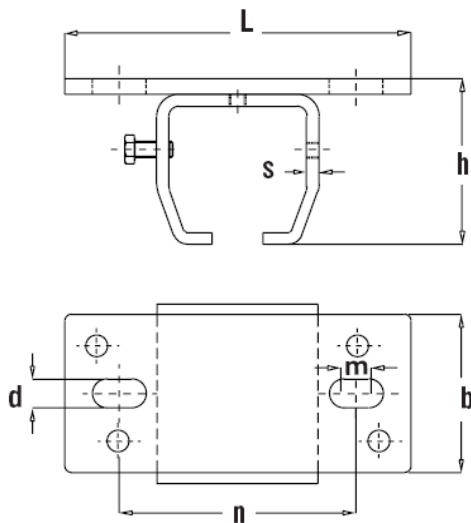
NIKO Profile No	21.000
Splice joint No	21.B49
Dimension L (mm)	100
Dimension h (mm)	38
Dimension b (mm)	36
Dimension s (mm)	3

**21.B01 - WALL MOUNTING BRACKET**



<b>NIKO Profile No</b>	21.000
Wall support bracket No	21.B01
Dimension b (mm)	38
Dimension h (mm)	60
Dimension L (mm)	40
Dimension n (mm)	10
Dimension d (mm)	8 $\varnothing$
Dimension s (mm)	3

**21.B02 - CEILING MOUNTING BRACKET (HEAVY DUTY)**



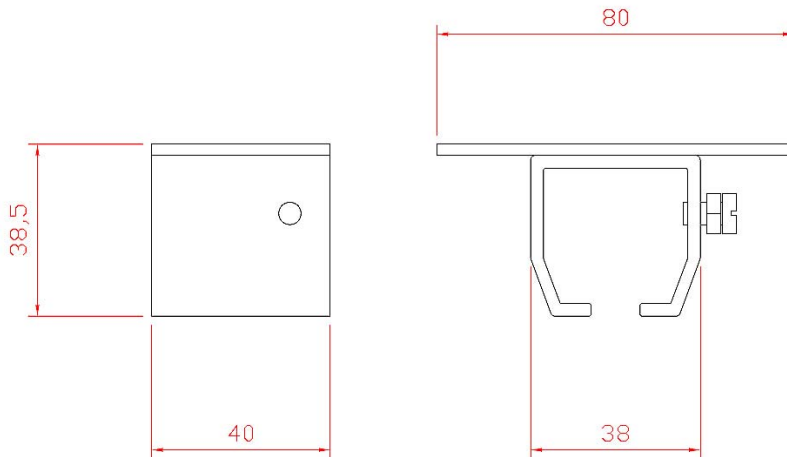
<b>NIKO Profile No</b>	21.000
Ceiling support bracket No	21.B02
Dimension b (mm)	40
Dimension h (mm)	39
Dimension L(mm)	88
Dimension n (mm)	63
Dimension d (mm)	8
Dimension m (mm)	7
Dimension s (mm)	3



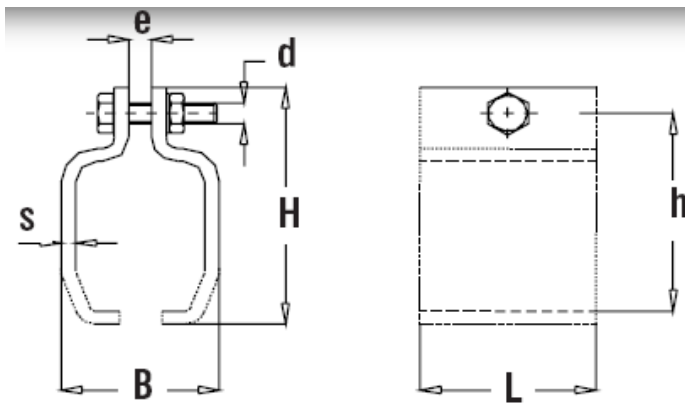
W. [www.niko-ltd.co.uk](http://www.niko-ltd.co.uk)  
 E. [sales@niko-ltd.co.uk](mailto:sales@niko-ltd.co.uk)

Tel. 01926 813111  
 Fax. 01926 815599

**21.B62 - CEILING MOUNTING BRACKET (LIGHT DUTY)**



**21.B03 - SPLIT SUPPORT BRACKET**



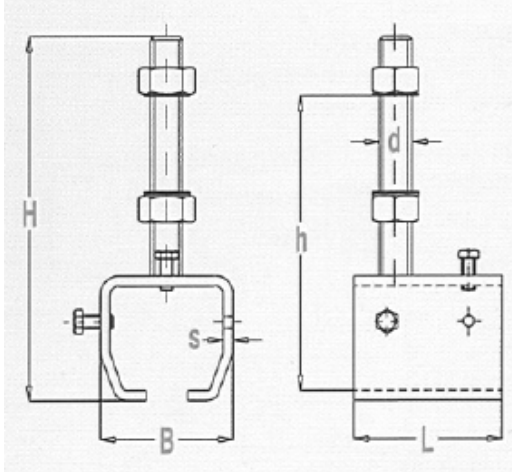
<b>NIKO Profile No.</b>	21.000
<b>Split support bracket No.</b>	21.B03
<b>Dimension B (mm)</b>	36
<b>Dimension H (mm)</b>	64.5
<b>Dimension L (mm)</b>	40
<b>Dimension h (mm)</b>	49
<b>Dimension s (mm)</b>	3
<b>Dimension e (mm)</b>	6
<b>Dimension d (mm)</b>	M10



W. [www.niko-ltd.co.uk](http://www.niko-ltd.co.uk)  
 E. [sales@niko-ltd.co.uk](mailto:sales@niko-ltd.co.uk)

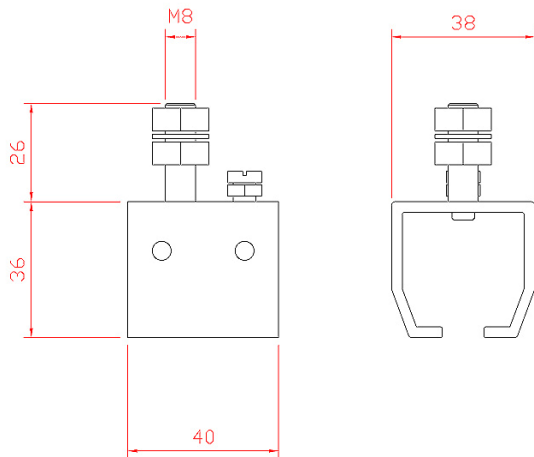
Tel. 01926 813111  
 Fax. 01926 815599

**21.B04 - SINGLE BOLT SUPPORT BRACKET (HEAVY DUTY M10)**

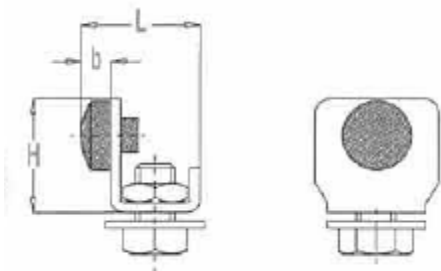


NIKO Profile No.	21.000
Adjustable bracket No.	21.B04
Dimension B (mm)	38
Dimension H (mm)	100
Dimension L (mm)	40
Dimension h (mm)	65 <sup>+10</sup>
Dimension d (mm)	M10
Dimension s (mm)	3

**21.B64 - SINGLE BOLT SUPPORT BRACKET (LIGHT DUTY M8)**

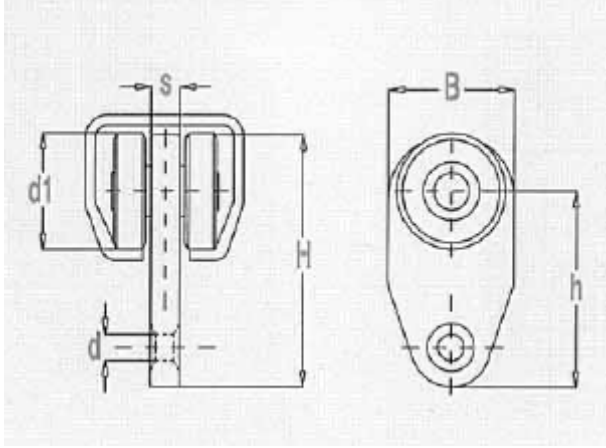


**TRACK END STOP**



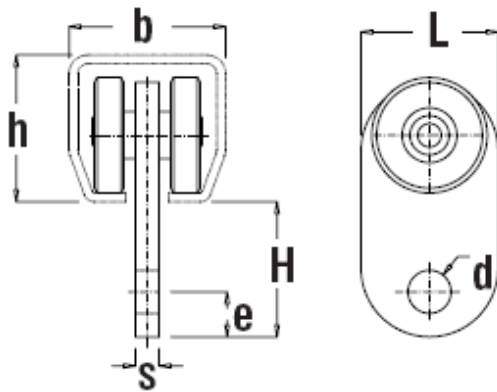
NIKO Profile No.	21.000
Track end stop No.	21.X01
Dimension L (mm)	25
Dimension H (mm)	23
Dimension b (mm)	6

**21.R31 - SLIDING CURTAIN HANGER (NYLON)**



NIKO Profile No.	21.000
Wheel hanger for curtains No.	21.R31
SWL kg	10
Dimension H (mm)	49
Dimension h (mm)	38
Dimension B (mm)	25
Dimension d (mm)	5
Dimension d1 (mm)	22
Dimension s (mm)	5.8

**21.T11 - SLIDING CURTAIN HUNGER (STEEL)**



<b>NIKO Profile No.</b>	21.000
2-Wheel trolley with hole No.	21.T11
SWL Kg	10
Dimension H (mm)	29,5
Dimension L (mm)	25
Dimension h (mm)	28
Dimension b (mm)	30
Dimension d (mm)	6
Dimension e (mm)	10
Dimension s (mm)	5